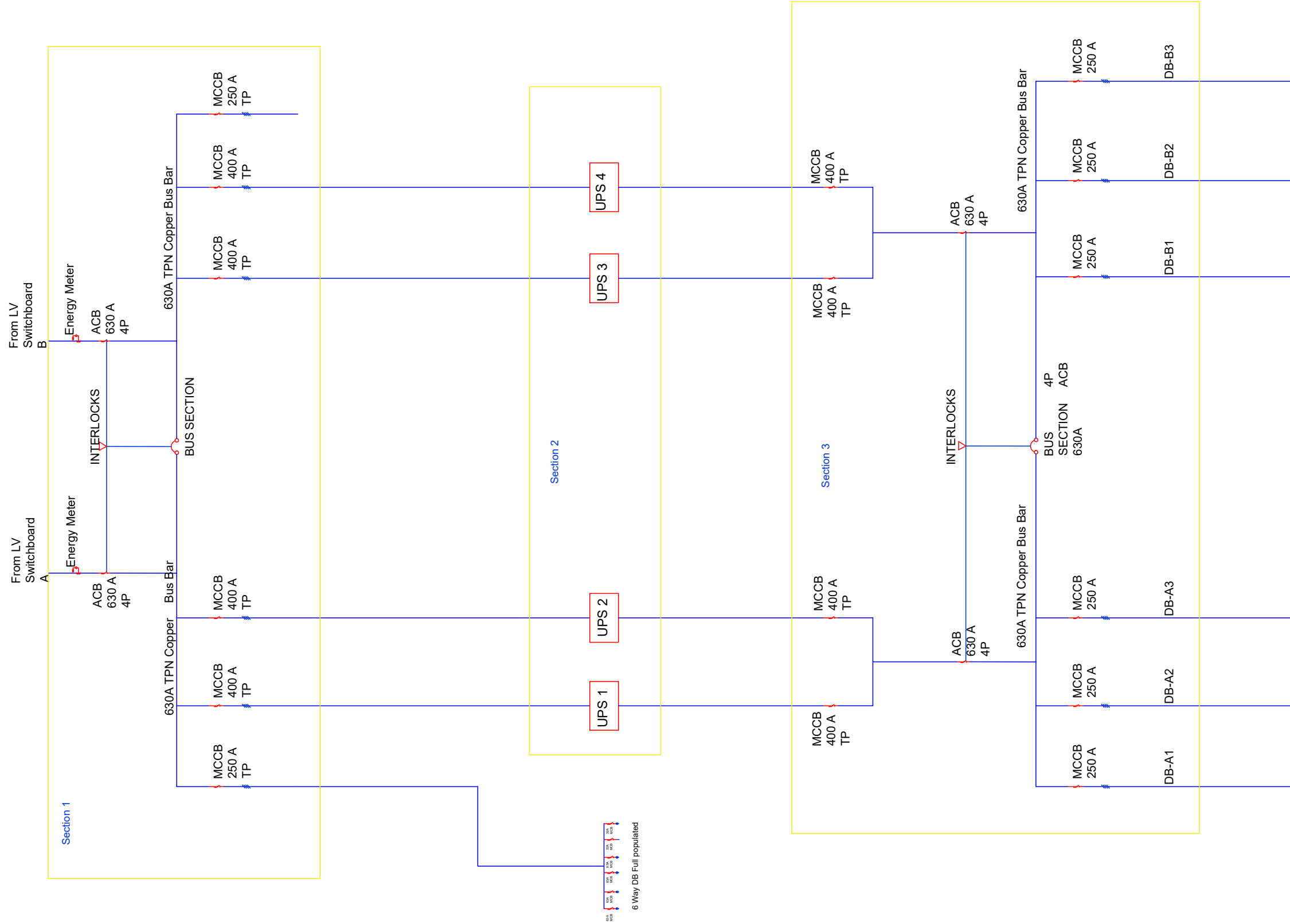


Type F



NO	GENERAL NOTES
1	All dimensions in the drawing are in MM
2	Do not scale from this drawing, Use figured dimensions ONLY
3	All Drawings must be read in conjunction with architectural and mechanical Eng. layouts
4	positions of outlets to be marked and approved prior to installation of boxes
5	The positions of various electrical items as shown on the drawings are provisional. Final positions to be confirmed in the detailed working drawings
6	The contractor shall check all door swings and ensure the switches are installed on the lock side
NO	REVISION NOTES
<div style="border: 2px solid green; width: 100px; height: 50px; margin: 0 auto;"></div>	
Project: NEW LV SWITCHBOARD FOR ELECTRICITY HOUSE NAIROBI.	
Client: KENYA POWER	
Drawing Title: DRC LV SWITCHBOARD ONE LINE DIAGRAM	
Scale:	Job No.:
Drawing No: 07	Revision No.:
Date: JAN 2019	Designed: C.K.M
	Drawn: C.K.M
	Checked: E.K.L
Architect:	